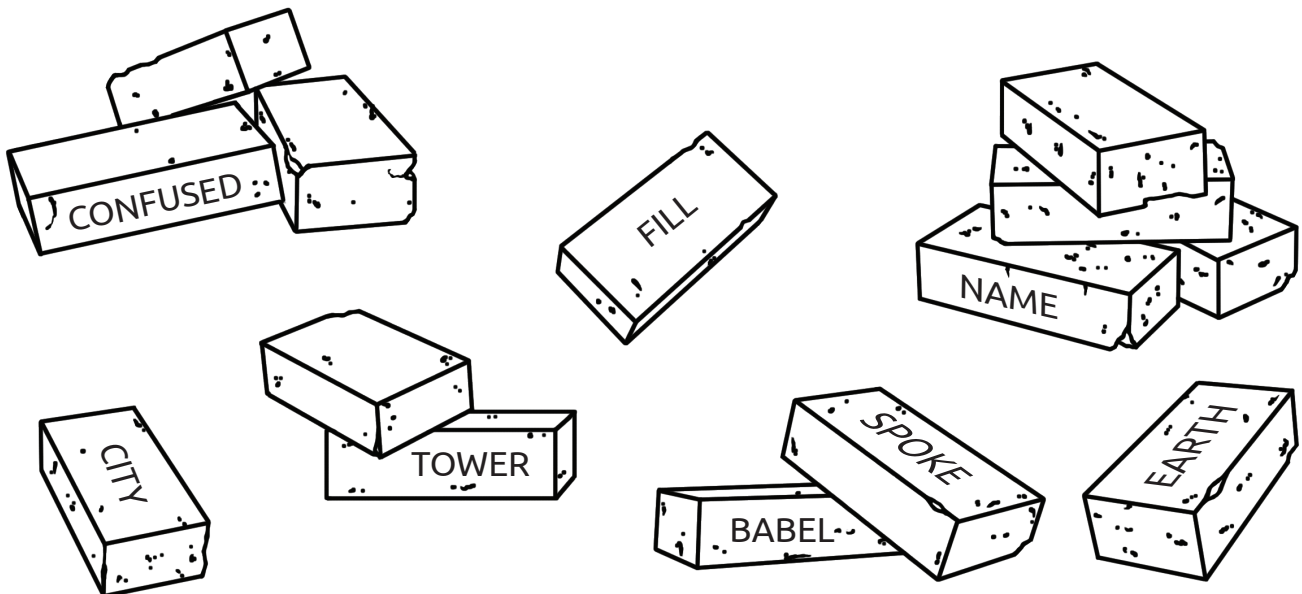
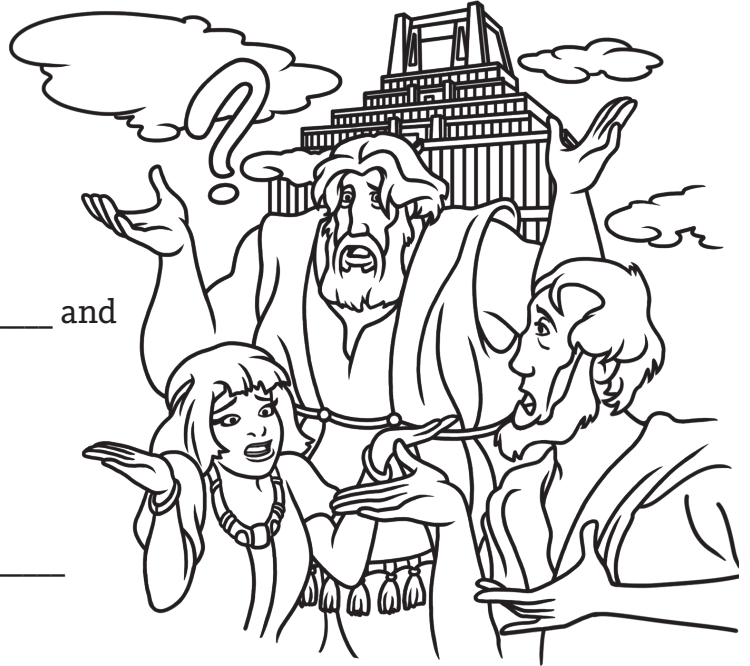


Name \_\_\_\_\_

# Class Notes

1. God commanded Noah and his family to be fruitful, multiply, and \_\_\_\_\_ the earth.
2. All the people \_\_\_\_\_ the same language at that time.
3. The people wanted to build a \_\_\_\_\_ and a \_\_\_\_\_ to heaven.
4. The people also wanted to make a great \_\_\_\_\_ for themselves.
5. The people disobeyed, so God \_\_\_\_\_ the language everyone spoke.
6. The people left Babel in groups. God scattered them all over the \_\_\_\_\_.
7. It is believed that the ancient ziggurats and pyramids found today were like the tower built at \_\_\_\_\_.



# Class Notes Answer Key

1. God commanded Noah and his family to be fruitful, multiply, and fill the earth.
2. All the people spoke the same language at that time.
3. The people wanted to build a city and a tower to heaven.
4. The people also wanted to make a great name for themselves.
5. The people disobeyed, so God confused the language everyone spoke.
6. The people left Babel in groups. God scattered them all over the earth.
7. It is believed that the ancient ziggurats and pyramids found today were like the tower built at Babel.

